

o Flat Cable Connectors SEK

o har-mik®

o D-Sub

o InduCom

Applications



Product details

09 18 526 5803

IDC female connector

Termination	Flat cable insulation displacement
Connector size	26 contacts
IDC strain relief clamp	Without strain relief
Cover	With an open end cover
Centre polarization	With central polarisation
Performance level	AU-0.76•m [30• Inch]
RoHS compliant	Yes

Available Downloads

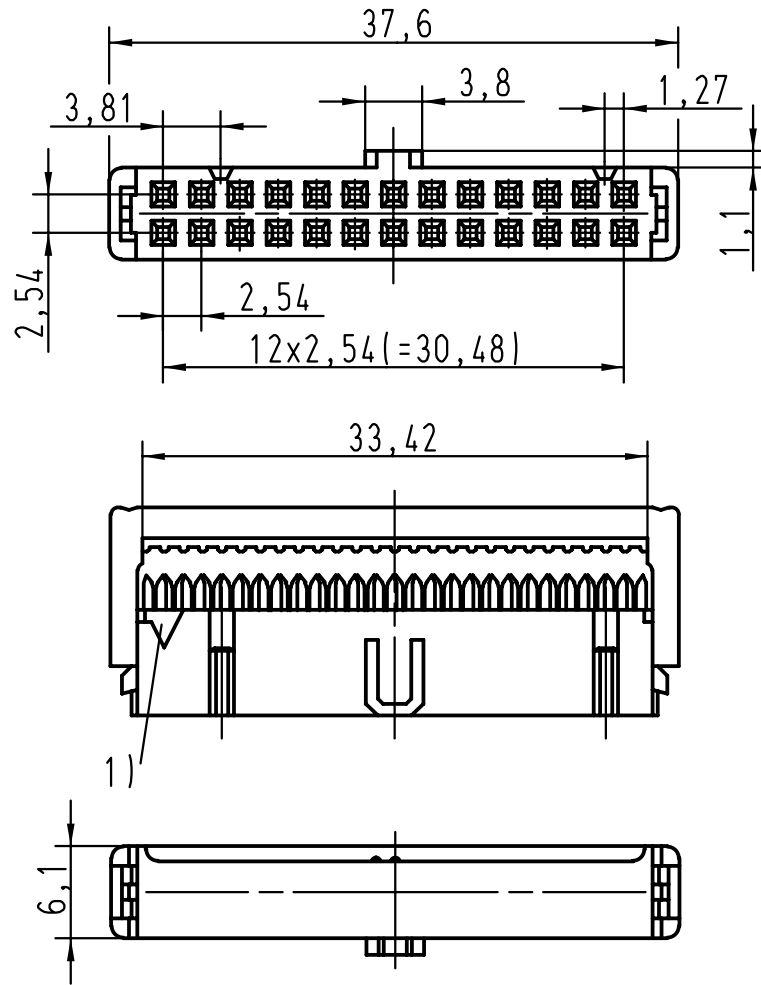
Title	Format	
Data sheet	PDF	download
CAD data 2D	DXF	download

Further links

3D-Library



Inquiry



vorverrastet
pre assembled
preassemble

verrastet
fitted
assemble

- 1) Markierung erster Kontakt, Ader 1 des Flachkabels
 1) Contact no.1, 1st wire of flat cable
 1) Contact no.1, repère 1 du câble

		All Dimensions in mm Original Size DIN A 4			Techn. Character.			Nicht tolerierte Masse/ Free size tolerances		
A	09185265803	0,76 μm Au			Detail.	Dat.	Name	Massstab/Scale 2:1	SEK 18 Female connector 26 poles with central polarisation cover without cable stop	
	09185266803	2			Insp.	01-FEB-00	JMV			
	09185267803	3			Stand.					
	Bestell-Nr. Part-No. Reference	Anforderungsstufe performance level Niveau de qualite	26570	01-FEB-00	JB	HARTING EURL F-95972 Paris			TB 0918526X803 Sub.	Blatt/ page 1/1